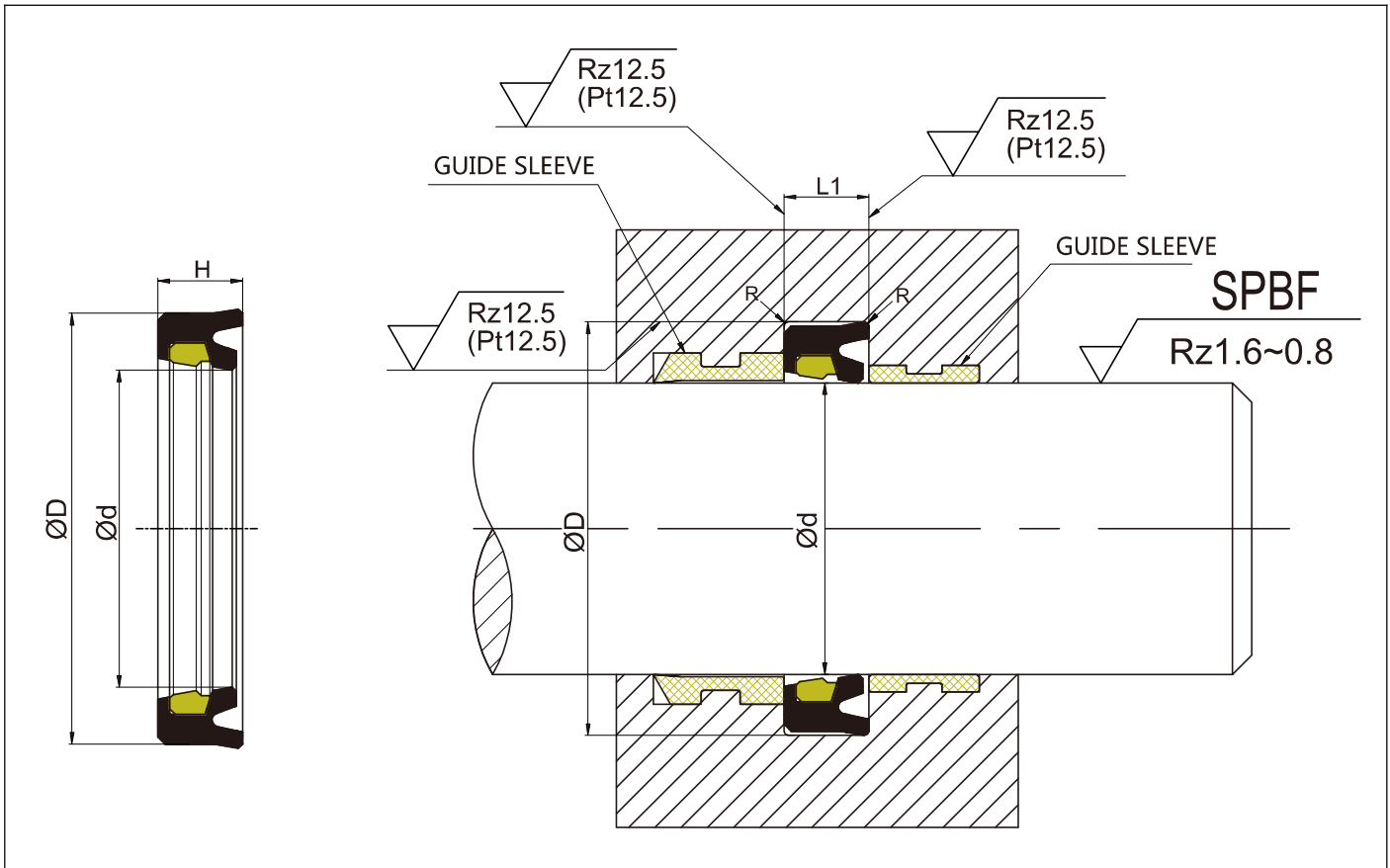




1. Installation Recommendation



2. Installation Sizes

Rod Diameter d e8	Groove Diameter D H9	Groove Width L D10	H
20-30	d+8	7.5	7
31-35	d+8	7.5	7
36-44	d+8	8.5	8
45-55	d+10	11.0	10
56-119	d+15	13.0	12
120-319	d+20	17.0	16
320-499	d+30	21.0	20
>499	d+40	26.5	25

3. Application and properties

Applicable to hydraulic cylinder piston rod, generally used in conjunction with the guide sleeve. The special-shaped Y-Ring has the sealing function, provides the elasticity to the seal ring, and compensates for the abrasion. Wear-resisting, non stick slip phenomenon. It has a high stability under pressure and harsh conditions.



T D I

4. Standard materials

Sealing ring: filled PTFE

Y-Ring: NBR / PU

5. Working Conditions

Working Conditions				
Diameter Range	Pressure Range	Temperature Range	Speed	Medium
20 - 1600mm	0 - 60MPa	-30°C +100°C	1 m/s	Petroleum base hydraulic oil, nonflammable hydraulic fluid, water, and others.

6. Installation Dimensions

Rod Dia.	Outer Dia.	Groove Width	Order No.
d e8	D H9	L D10	
20	28	7.5	TDI20*28*7.5
22	30	7.5	TDI22*30*7.5
23	31	7.5	TDI23*31*7.5
25	33	7.5	TDI25*33*7.5
28	36	7.5	TDI28*36*7.5
30	38	7.5	TDI30*38*7.5
32	40	7.5	TDI32*40*7.5
35	43	7.5	TDI35*43*7.5
36	44	8.5	TDI36*44*8.5
40	48	8.5	TDI40*48*8.5
42	50	8.5	TDI42*50*8.5
45	55	11	TDI45*55*11
47	57	11	TDI47*57*11
48	58	11	TDI48*58*11
50	60	11	TDI50*60*11
52	62	11	TDI52*62*11
55	65	11	TDI55*65*11
56	71	13	TDI56*71*13
60	75	13	TDI60*75*13
63	78	13	TDI63*78*13
65	80	13	TDI65*80*13
68	78	13	TDI68*78*13
70	85	13	TDI70*85*13
72	87	13	TDI72*87*13
75	90	13	TDI75*90*13
80	95	13	TDI80*95*13
83	98	13	TDI83*98*13



T D I

Rod Dia. d e8	Outer Dia. D H9	Groove Width L D10	Order No.
85	100	13	TDI85*100*13
87	102	13	TDI87*102*13
90	105	13	TDI90*105*13
95	110	13	TDI95*110*13
96	111	13	TDI96*111*13
100	115	13	TDI100*115*13
100	120	15	TDI100*120*15
105	120	13	TDI105*120*13
110	125	13	TDI110*125*13
115	126	16	TDI115*126*16
115	130	13	TDI115*130*13
120	140	17	TDI120*140*17
125	145	17	TDI125*145*17
130	150	17	TDI130*150*17
135	155	17	TDI135*155*17
140	155	18	TDI140*155*18
140	160	17	TDI140*160*17
150	170	17	TDI150*170*17
155	175	17	TDI155*175*17
160	180	17	TDI160*180*17
165	185	17	TDI165*185*17
170	190	17	TDI170*190*17
175	195	17	TDI175*195*17
180	200	17	TDI180*200*17
185	205	17	TDI185*205*17
190	210	17	TDI190*210*17
200	220	17	TDI200*220*17
220	240	17	TDI220*240*17
225	245	17	TDI225*245*17
230	250	17	TDI230*250*17
240	260	17	TDI240*260*17
250	270	17	TDI250*270*17
260	280	17	TDI260*280*17
280	300	17	TDI280*300*17
300	320	17	TDI300*320*17
350	380	21	TDI350*380*21
500	540	26.5	TDI500*540*26.5
630	670	26.5	TDI630*670*26.5
1000	1040	26.5	TDI1000*1040*26.5